

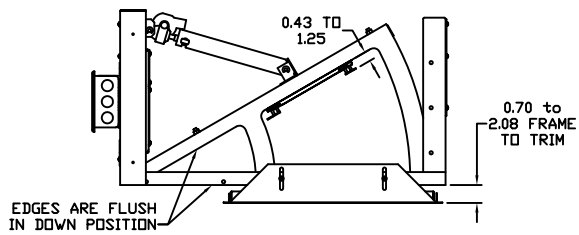
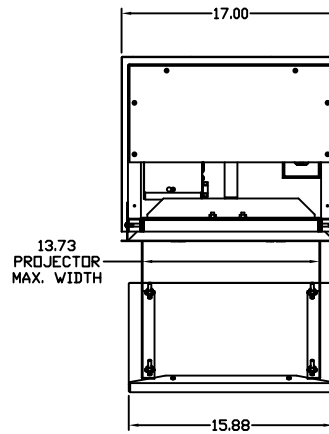
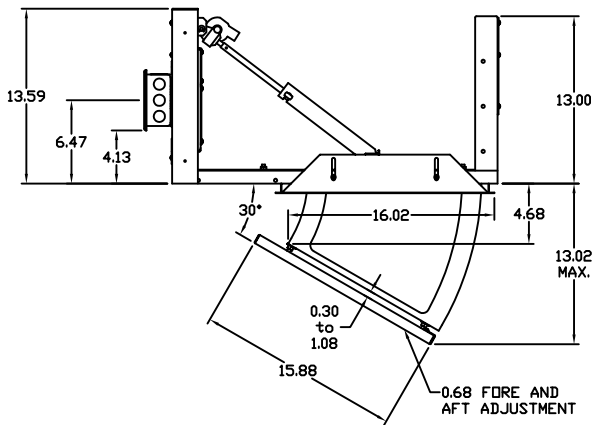
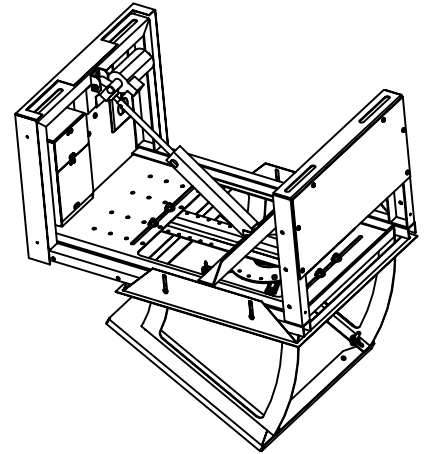
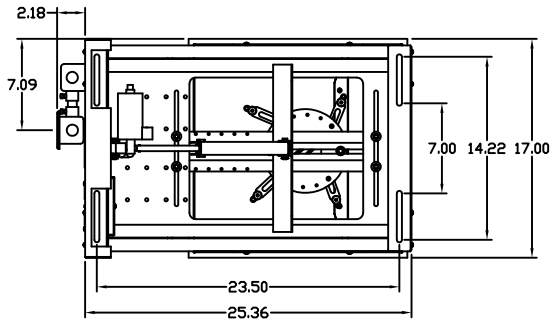




PIVOTING DA-LIFT
26P

| | | |
|---|--|---|
|  <p>Advance PRODUCTS COMPANY 1188 E. Central, Walling, NJ 07714-3822 Ph: (914) 261-0281</p> | <p>THIS DRAWING IS THE PROPERTY OF THE ADVANCE PRODUCTS COMPANY AND IS NOT TO BE REPRODUCED OR USED TO FURNISH INFORMATION FOR MAKING DRAWINGS EXCEPT WHERE PROVIDED BY AGREEMENT WITH SAID COMPANY.</p> |  |
| | <p>13.73 PROJECTOR MAX. WIDTH</p> | |



PIVOTING DA-LIFT
33P

| | | |
|--|---|---|
|  <p>Advance PRODUCTS COMPANY 1100 E. South, Middle, IN 47314-0001 Ph: (317) 383-4000</p> | <p>THIS DRAWING IS THE PROPERTY OF THE ADVANCE PRODUCTS COMPANY AND IS NOT TO BE REPRODUCED OR USED TO PROMOTE OR OTHERWISE FOR ANY OTHER COMPANY WITHOUT WRITTEN PERMISSION BY ADVANCE PRODUCTS COMPANY.</p> |  |
|--|---|---|

