

TENSIONED ADVANTAGE® DELUXE ELECTROL®

Concealed with Closure Doors
Electric Projection Screen

When ordering, make appropriate selections:

1. Select size from charts below.

2. Select viewing surface:

- Da-Mat®
- High Contrast Da-Mat®
- Cinema Vision
- High Contrast Cinema Vision
- Pearlescent
- Audio Vision
- High Contrast Audio Vision
- High Contrast Cinema Perf
- Da-Tex® (Rear)
- Dual Vision
- GREENGUARD® and GREENGUARD® Children and Schools Certified.

3. Options:

- Single motor Low Voltage Control(LVC) - external.
- Single motor Low Voltage Control(LVC) - built-in.
- Wireless Remote Control for LVC.
 - Radio Frequency Remote
 - Radio Frequency Range Extender available
 - Infrared Remote
- Key Locking Cover Plate for 120V Switch or LVC.
- Key Operated Switch for 120V only (NOTE: Cannot be used with LVC).
- 220/240 Volt (50 Hz) motor.
- Video Projector Interface - external.
- SCB-100 RS-232 Serial Control Board - external.
 - NET-100 Ethernet-Serial Adapter
- SCB-100 RS-232 Serial Control Board - built-in. Electrical connections will be on right end of screen case on units with built-in SCB-100.
 - NET-100 Ethernet-Serial Adapter
- SCB-200 RS-232 Serial Control Board - built-in. Electrical connections will be on right end of screen case on units with built-in SCB-200.
 - NET-200 Ethernet-Serial Adapter
 - WC-200 Wall Controller
 - IR-200 Infrared Remote

All viewing surfaces will be seamless. Audio Vision, High Contrast Audio Vision and High Contrast Cinema Perf available in sizes up to 87" x 116" in Video Format and 78" x 139" in HDTV Format. All viewing surfaces are standard with black backing except Da-Tex® and Dual Vision.

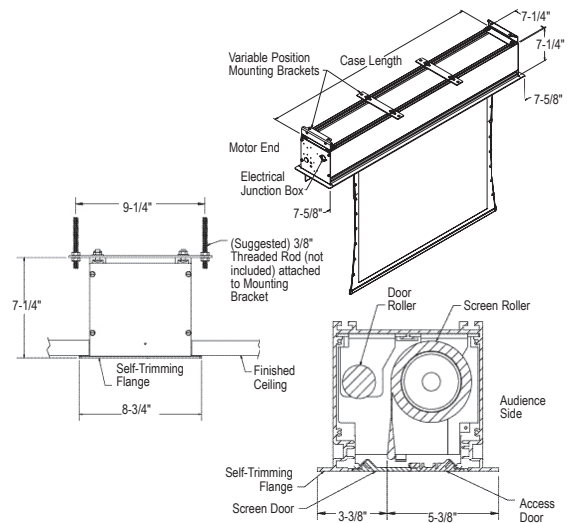
Detailed dimensional drawings, wiring diagrams and installation instructions available upon request. Specifications subject to change without notice.



- Designed with the installer in mind. You can choose to receive the case and fabric together or separately to prevent fabric damage during the "rough-in" stages of construction.
- Concealed in the ceiling with closure doors.
- UL Plenum rated case.
- Tab guide cable system holds screen surface flat.

SUGGESTED SPECIFICATIONS:

_____ projection screen(s), _____ (H) x _____ (W). The Tensioned Advantage® Deluxe screen shall have two motors, one to operate door and one to operate screen. Door motor electrically operated 120 volt (60 Hz) not more than 1.2 amp. Shall have motor mounted inside the roller, to be three wire with ground, quick reversal type, oiled for life, with automatic thermal overload cutout, integral gears, capacitor and an electric brake to prevent coasting. To have pre-set but adjustable limit switches to automatically stop fabric door in the "down" position. The door will lift to the closed position where a micro switch shall cut off the electrical current to the door motor. The roller to be of rigid aluminum. Screen motor is electrically operated 120 volt (60 Hz) not more than 2.4 amp. Shall have motor mounted inside the roller, to be three wire with ground quick reversal type, oiled for life, with automatic thermal overload cutout, integral gears, capacitor and an electric brake to prevent coasting. To have pre-set but adjustable limit switches to automatically stop picture surface in the "up" and "down" positions. The roller to be of rigid metal. Screen fabric to be seamless, flame retardant and mildew resistant vinyl, with black masking borders standard. Each side of the fabric to have tab guide cable system to maintain even lateral tension and hold surface flat. Custom slat bar with added weight maintains vertical tension on the screen surface. The ends of the slat to be protected by heavy duty plastic caps enclosing a preset adjustable mechanism for screen tensioning. Case shall be a white powder coated extruded aluminum. Bottom of case to be self-trimming with a built-in flange around the bottom of the case. A section of the bottom of the case shall be an aluminum door equipped with hinges so that it opens and closes automatically with the lowering and raising of the picture surface. The balance of the bottom of the case shall be a second hinged aluminum door with manual opening to provide access. Hinges shall be mounted in a concealed way. Junction box shall be internally integrated into the housing making it possible to install the housing and wire to the building's electrical system during construction. The junction box shall contain a quick connect connector that is mounted in the housing for easy plug-in connection to the motorized fabric and roller assembly. The motorized fabric and roller assembly to be installed in the case at the factory or at a later time at the job site. To be complete with three position control switch and cover plate. Suitable for use in environmental air space in accordance with section 300-22 (c) of the National Electric Code, and sections 2-128, 12-010 (3) and 12-100 of the Canadian Electrical Code, part 1, CSA C22.1. Screen to be listed by Underwriters' Laboratories.



4:3 VIDEO FORMAT

Viewing Area H x W	Nominal Diagonal	Overall Case Length	Approx. Shipping Wt. Lbs.
43" x 57"	72"	79 1/4"	102
50" x 67"	84"	90 1/4"	114
60" x 80"	100"	104 1/4"	125
69" x 92"	120"	118 1/4"	148
87" x 116"	150"	145 1/4"	170
108" x 144"	180"	170 1/4"	189
120" x 160"	200"	187 1/4"	203

16:9 HDTV FORMAT

Viewing Area H x W	Nominal Diagonal	Overall Case Length	Approx. Shipping Wt. Lbs.
45" x 80"	92"	102 3/4"	125
52" x 92"	106"	115 1/4"	140
54" x 96"	110"	119 3/4"	145
58" x 104"	119"	128 1/4"	150
65" x 116"	133"	141 1/4"	163
78" x 139"	159"	166 1/4"	188
90" x 160"	184"	184"	203

16:10 FORMAT DIMENSIONS

Viewing Area H x W	Nominal Diagonal	Overall Case Length	Approx. Shipping Wt. Lbs.
50" x 80"	94"	103 3/4"	125
60" x 96"	113"	120 3/4"	145
69" x 110"	130"	134 3/4"	157
87" x 139"	164"	163 1/4"	188

SQUARE FORMAT

Viewing Area H x W	Overall Case Length	Approx. Shipping Wt. Lbs.
50" x 50"	73 1/4"	93
60" x 60"	84 1/4"	104
70" x 70"	95 3/4"	116
84" x 84"	112 1/4"	125
6" x 8"	122 1/4"	140
8" x 8"	125 3/4"	148
7" x 9"	136 1/4"	155
9" x 9"	134 3/4"	159
8" x 10"	149 3/4"	165
10" x 10"	146 3/4"	168
9" x 12"	170 3/4"	189
12" x 12"	175 1/4"	194

Overall case length dimensions ±1/4".

Note: Custom formats and sizes available upon request.
Note: All sizes come standard with 12" black drop at top.
Note: Electrical connections will be on right end of screen case on units with built-in SCB-100 or SCB-200.

