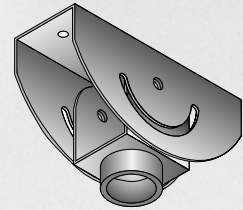


*The*  
**POWER** *In*  
**PRESENTATION PRODUCTS**



**Assembly Instructions  
for  
ADVANCE  
CEILING MOUNT  
CATHEDRAL CEILING  
ADAPTER  
CM-CCA**



**DA-LITE SCREEN COMPANY, INC.**  
3100 North Detroit Street  
Post Office Box 137  
Warsaw, Indiana 46581-0137  
Phone: 574/267-8101  
800-622-3737  
Fax: 574/267-7804  
[http:// www.da-lite.com](http://www.da-lite.com)  
e-mail: [info@da-lite.com](mailto:info@da-lite.com)



**CAUTION! This unit is designed for ceiling installation only. Qualified personnel, using appropriate fasteners, should secure the Mount Plate. The surface to which this unit is mounted must be capable of supporting a static load of four times the combined weight of the television and mount. Do not attach to plaster or drywall alone.**

## PROCEDURES

### TOOLS REQUIRED

9/16" wrenches, 5/16" hex driver, drill motor

1. Assemble the Pivoting Plate inside the Mount Plate with the fasteners provided. Leave the fasteners loose. (See figure 1)
2. Use the chart below to determine which fastener to use for your application. Determine the mounting screw locations and follow the directions for installing them. Mount the assembly onto a structural member of the ceiling. Install the middle fastener first and use the slots of the outside mount points to true the bracket. Tighten all mounting fasteners. (See figure 1)

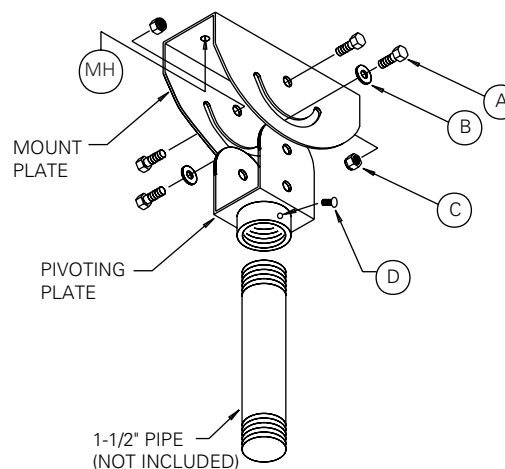
| Ceiling construction | Fastener Kit Part #                                    | Hole size |
|----------------------|--|-----------|
| Concrete             | A101<br>(3/8" cap screws & hollow set drop in anchors) | 5/8"      |
| Wood joist           | A105<br>(3/8" lag screws)                              | 3/16"     |
| Metal joist          | A111<br>(3/8" cap screws & nuts)                       | 7/16"     |

3. Install a 1-1/2" NPT threaded pipe (not included) into the Pivoting Plate Coupling securely. Screw a 10-32 self drilling screw into the threaded pipe through the existing hole in the Pivoting Plate Coupling to prevent removal of the pipe. Tighten all fasteners and proceed to assemble the television mount per its instructions. (See Figure 1). Maximum load is 300 pounds.

|     | QTY | HARDWARE DESCRIPTION             |
|-----|-----|----------------------------------|
| A   | 4   | 3/8"-16 x 1" Hex Head Cap Screw  |
| B   | 2   | 3/8" Flat Washer                 |
| C   | 4   | 3/8"-16 Lock Nut                 |
| D   | 1   | 10-32 x 5/8" Self Drilling Screw |
| *MH | 3   | Mounting Hardware                |

\*MH- To be provided by installer

Figure 1



**CAUTION! Use only with pipe in vertical position.**